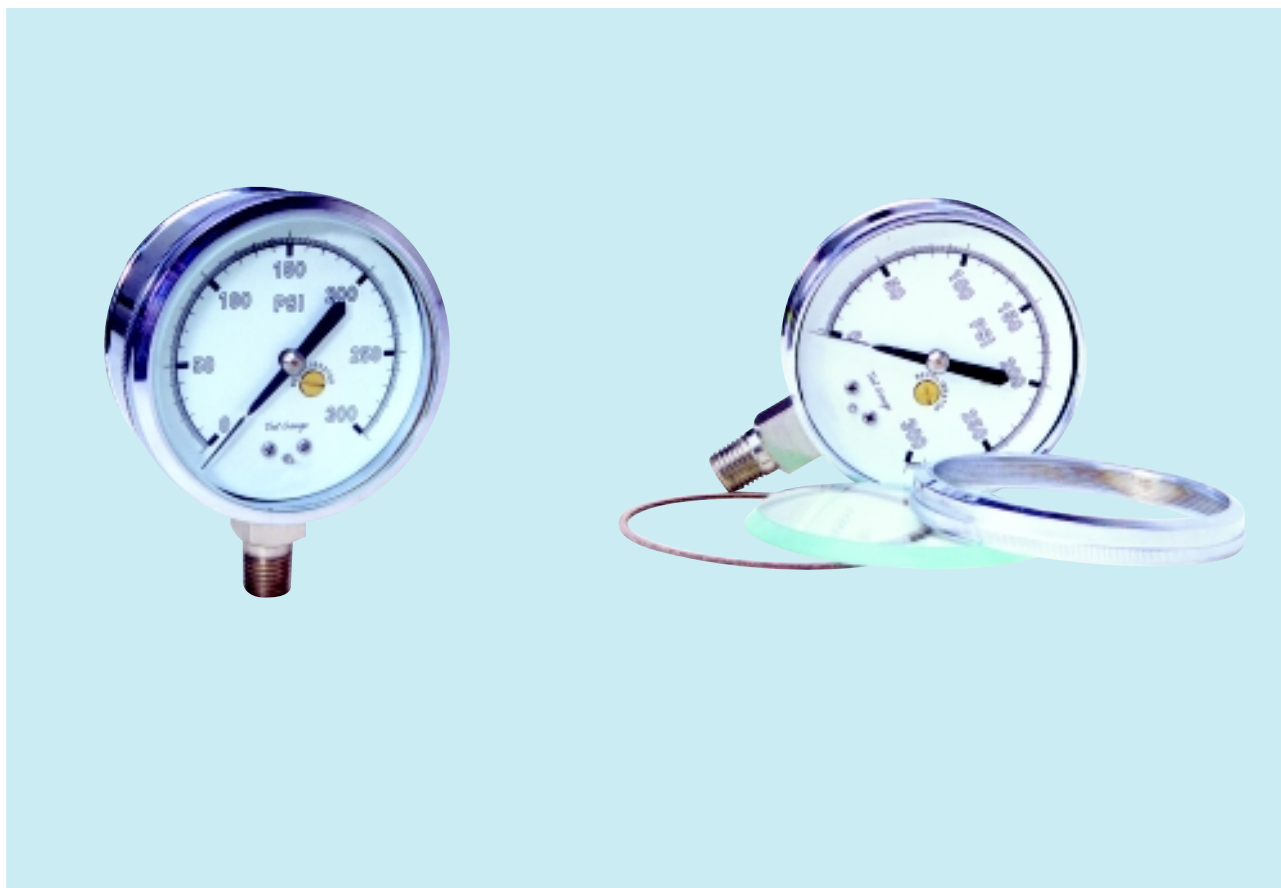


80 坚固型精密压力表

YB-080

80 Solid case test pressure gauge

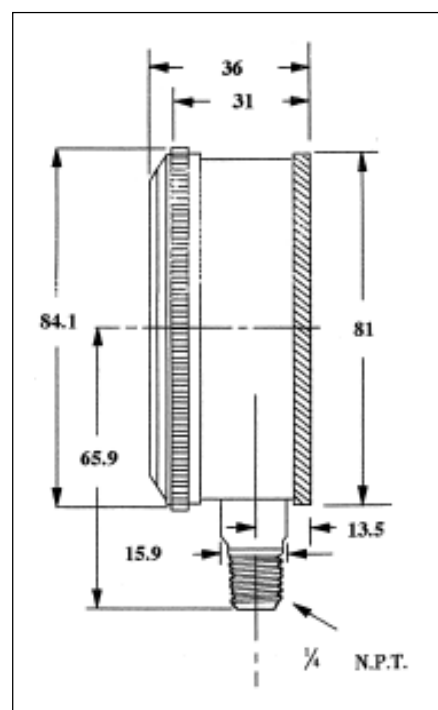


产品简介

80坚固型精密压力表,专为压力系统检验员和其他检验用途而设计,仪表具有坚固可靠性和便携性的特点。

PRODUCT OVERVIEW

The 80 solid case test pressure gauge is specifically designed for use by pressure system inspectors and other testing applications. It has the characteristics of dependability and portability.



技术参数

精度等级中点范围 0.5 级其余范围 1 级
 测量压力最小 15psi，最高 1000psi
 镀铬黄铜底壳，滚花罗纹前环
 刀锋式黑色钢指针
 带调效器的黄铜镶钻石机芯
 厚斜角玻璃，外面有不透明的塑料保护罩

NPT1/4”，M14x1.5, G1/4
 度盘白底黑字 psi 计量刻度，或依照要求
 特殊加工

Accuracy:0.5% mid-range, 1.0% in other range.
 Ranges: 0.1MPa to 70MPa
 Chrome-plated brass case with knurled threaded ring.
 Knife edge black pointer
 Diamond-inlay brass movement with recalibrator
 Thick beveled glass, with opaque-plastic
 protective cover outside
 Connection or other threads connections
 Dial: White with black letters, psi calibrations,
 or machine as requests.

量程范围规格代码表 TABLE OF RANGES

选型代码 code	量程规格 ranges	选型代码 code	量程规格 ranges	选型代码 code	量程规格 ranges
M500	-0.1-0MPa	M080	0.4 MPa	M160	2.5 MPa
M030	0.1MPa	M100	0.6 MPa	M180	4 MPa
M040	0.16 MPa	M120	1 MPa	M200	6 MPa
M060	0.25 MPa	M140	1.6 MPa		

如何选型 HOW TO ORDER

型号代码 CODE	特性说明 CHARACTERISTICS						
基本型号 Basic type YB	精密压力表 Test pressure gauge						
设计代码 Design 404	铜合金压铸外壳 / 旋紧式 Casting case/ screw tighten						
外径 Diameter 080	80						
安装方式 Mounting AO	径向直接安装 Under mounting directly						
量程 Ranges M120	1MPa 请参看量程代码表 See range table						
连接尺寸 Connection Z14 T00	NPT1/4” G14 — G1/4” M14 — M14X1.5 其它连接标准 Other connections						
备选项 Options GKP	抛光黄铜底壳 Polished brass case						

