

坚固钢结构精密压力表

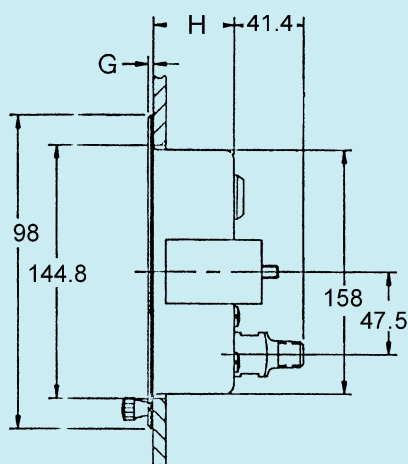
YB-160)

Solid case test pressure gauge in steel structure

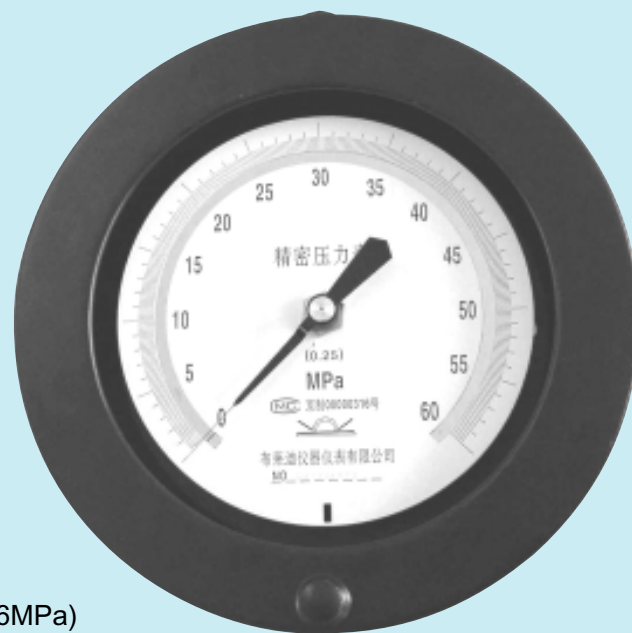
产品简介 适用于对压力的高精度测量。

PRODUCT OVERVIEW It is suitable to do high precision measurement.

外型尺寸 Dimension



G=5
H=44 (6MPa)
H=51 (10MPa)



技术参数

精度等级：0.25%；0.4%

测量范围：-0.1 ~ 160MPa

公称外径：6"

波登管/接头：铜合金 C 型管与铜合金
接头锡焊，钢接头与钢
管氩弧焊接

仪表机芯：不锈钢带宝石轴承

仪表连接：M20x1.5（或其它连接）

安装结构：轴向合页前环

仪表外壳：坚固型黑铁壳

仪表度盘：不锈钢双层镜面，带调零装置

表针：65Mo 锰，黑色，刀锋式

Technical specifications

Accuracy: 0.25% ; 0.4%

Range: -0.1 ~ 160MPa

Nominal size: 6"、4.5"

Burdon tube/socket: Tin soldered copper alloy C-tubeto copper alloy
connection. TIG welded steel connection and steel tube.

Movement: Stainless Steel

Connection: M20x1.5 (other connections)

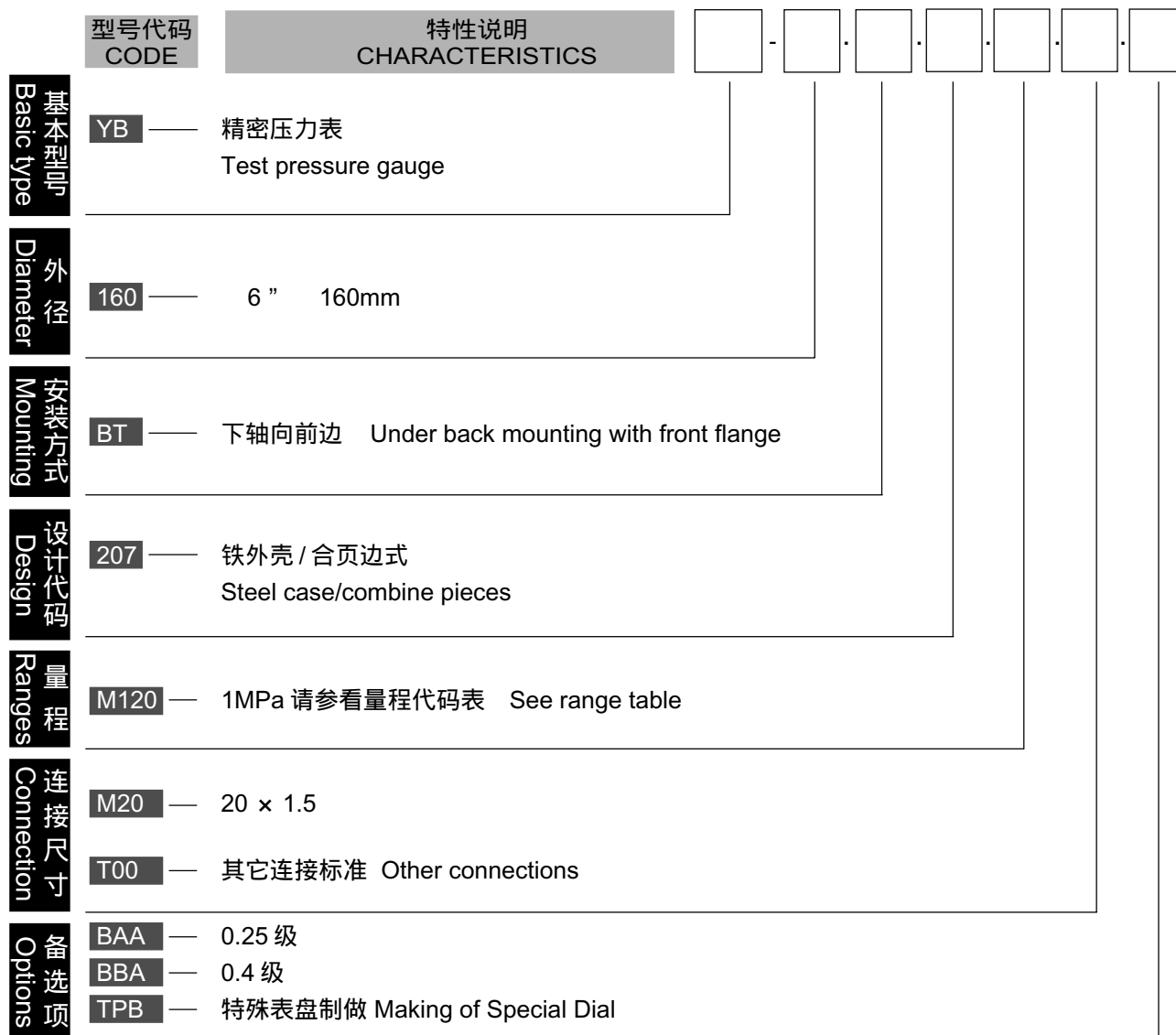
Mounting: Back mounting combining pieces with front ring

Case: Solid type, black, steel case

Dial: Stainless Steel double glasses, with zero adjustable set.

Pointer: 65Mo, Aluminium, black, knife end

如何选型 HOW TO ORDER



量程范围规格代码表 TABLE OF RANGES

选型代码 code	量程规格 ranges	选型代码 code	量程规格 ranges	选型代码 code	量程规格 ranges
M030	0.1MPa	M160	2.5MPa	M280	40MPa
M040	0.16MPa	M180	4MPa	M270	60MPa
M060	0.25MPa	M200	6MPa	M290	100MPa
M080	0.4MPa	M220	10MPa	M300	160MPa
M120	1MPa	M230	16MPa	M310	250MPa
M140	1.6MPa	M240	25MPa		

