

75/102 系列一般压力表

Y-075

75/102 series General Service Pressure Gauge

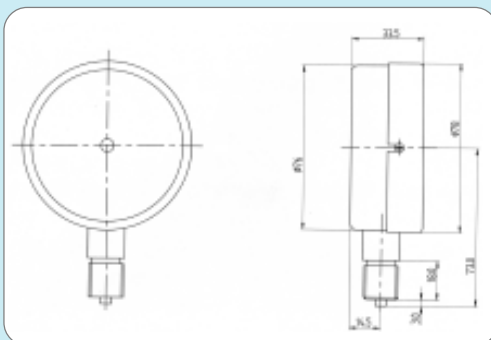
Y-102

应用：

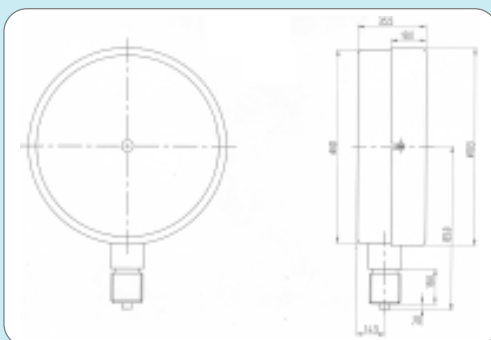
适用于测量对铜及铜合金无腐蚀且不结晶不凝固的液体或气体的压力。

Service Intended:

It is suitable for the medium which is non-crystal, non-solid and non-corrosion to the copper or copper alloy.



Y-102. AO. 200 (Y-102)
102 径向直接安装
102 Bottom mounting



Y-075. AO. 200 (Y-075)
75 径向直接安装
75 Bottom mounting

主要参数

公称直径 75mm; 102mm
精度等级 1.5%
测量范围 -0.1MPa ~ 0; 0 ~ 6MPa
仪表外壳 底壳喷黑塑表罩电镀
仪表接头 铜合金 G38 (G3/8)连接

Specifications

Diameter: 75mm; 102mm
Accuracy: 1.5%
Range: -0.1MPa ~ 0; 0 ~ 6MPa
Case: black painted case & plated ring
Socket: Copper alloy, G38 (G3/8) connection