

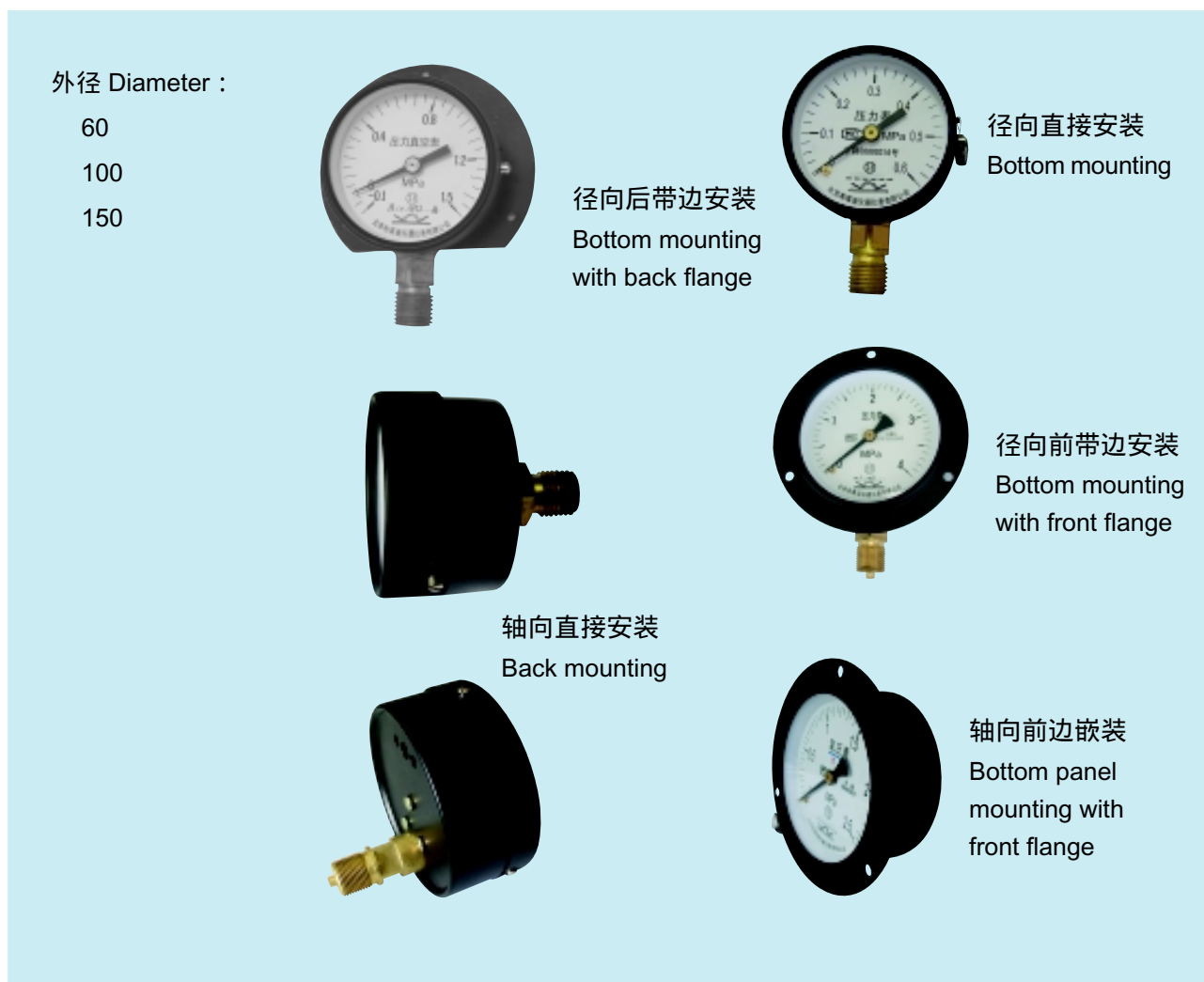
# (60/100/150)一般压力表系列

General service pressure gauge

Y-060

Y-100

Y-150



## 产品简介

Y系列一般压力表适用于测量无爆炸，不结晶、不凝固及对铜合金不起腐蚀作用的液体或气体等介质的压力。仪表的测量系统由接头、弹簧管和传动机构组成。通过指针指示仪表读数。

外径 60、100、150 一般压力表有径向直接安装、径向后带边凸装、径向前带边嵌装、轴向直接安装、轴向前边嵌装等多种安装型号可供选择。

## PRODUCT OVERVIEW

Y series General Service Pressure Gauge suitable for the non-explosion, non-crystal, non-solid and non-corrosion to the copper alloy. The pressure system consists of socket, bourdon tube and transfer mechanism and show the value through the pointer.

The pressure gauge of 60, 100, and 150mm has many ways to mount: bottom mounting, bottom mounting with back flange, bottom panel mounting with front flange, back mounting, back panel mounting with front flange and so on.



## MODEL 060/100/150

### 主要技术参数

精度等级：60、2.5%，100、150、1.5%  
 测量范围：负压 -0.1-0；-0.1-0.06 至 -0.1-2.4MPa  
                 正压 60 0-0.1 至 0-25MPa  
                 100、150 0-0.1 至 0-60MPa  
 工作压力：静负荷用至测量上限值的 3/4，交变负  
                 荷用至测量上限的 2/3，短时压力用  
                 至测量上限值。  
 正常工作环境温度：-40 ~ 70  
                 (相对湿度不大于 85%)  
 温度影响：使用温度偏离 20 ± 5 时，其误差变  
                 化不大于 0.6%/10  
  
 波登管/接头：磷青铜波登管与黄铜接头锡焊接。  
                 高温型，不锈钢波登管 40% 银焊  
                 接可选。  
  
 仪表机芯：铜合金正装结构，60“C20”型为反装型  
 仪表外壳：ST13 喷黑塑  
 表盘：白色铝制，黑色刻线  
 指针：铝制，黑色  
 表玻璃：普通玻璃  
 连接螺纹：60 M14 × 1.5; 100/150 M20 × 1.5  
                 其他标准可选

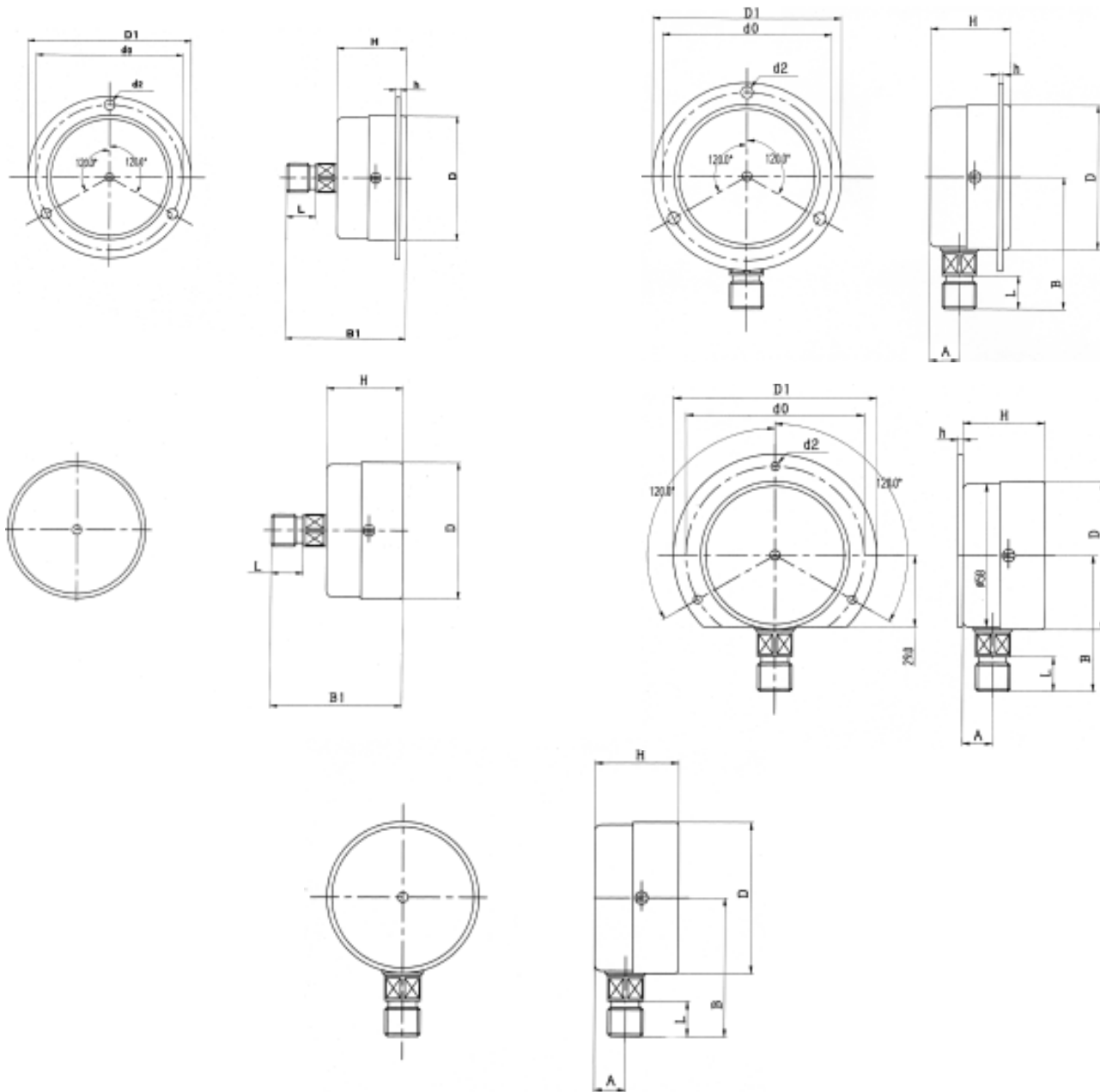
### Specifications

Accuracy: 60、2.5%，100、150、1.5%  
 Range: Negative pressure 0.1-0；-0.1-0.06 to  
                 -0.1-2.4MPa positive pressure 60 0-0.1 to  
                 0-25MPa 100、150 0-0.1 to 0-60MPa  
 Working pressure: Steady: 3/4 of full scale value;  
                 Fluctuating: 3/2 of full scale value;  
                 Short time: full scale value.  
 Ambient temperature: -40 ~ 70  
                 (Relative humidity 85%)  
 Temperature impact: The temperature change is not  
                 more than 0.6%/10 when the temperature deviates  
                 from 20 ± 5 .  
 Bourdon tube/socket: Soft soldering for phosphor bronze  
                 bourdon tube and brass socket. High temperature type,  
                 40% Silver soldering available for Stainless Steel  
                 Bourdon tube.  
 Internals: Copper alloy, right-handed machine 60“C20”  
 Case: ST13 black plastic plated  
 Dial: white, aluminium with black calibration line.  
 Pointer: Aluminium, black.  
 Window: common glass  
 Connection: 60 M14 × 1.5; 100/150 M20 × 1.5  
                 Other standard available.

### 量程 RANGES

量程范围规格代码表 TABLE OF RANGES					
选型代码 code	量程规格 ranges	选型代码 code	量程规格 ranges	选型代码 code	量程规格 ranges
M500	-0.1-0MPa	M040	0.16 MPa	M200	6 MPa
M510	-0.1-0.06 MPa	M060	0.25 MPa	M220	10 MPa
M520	-0.1-0.15 MPa	M080	0.4 MPa	M230	16 MPa
M 530	-0.1-0.3 MPa	M100	0.6 MPa	M240	25 MPa
M540	-0.1-0.5 MPa	M120	1 MPa	M270	40 MPa
M550	-0.1-0.9 MPa	M140	1.6 MPa	M280	60 MPa
M560	-0.1-1.5 MPa	M160	2.5 MPa		
M030	0.1 MPa	M180	4 MPa		
M570	-0.1-2.4MPa				

(60) 几何尺寸 Dimensions



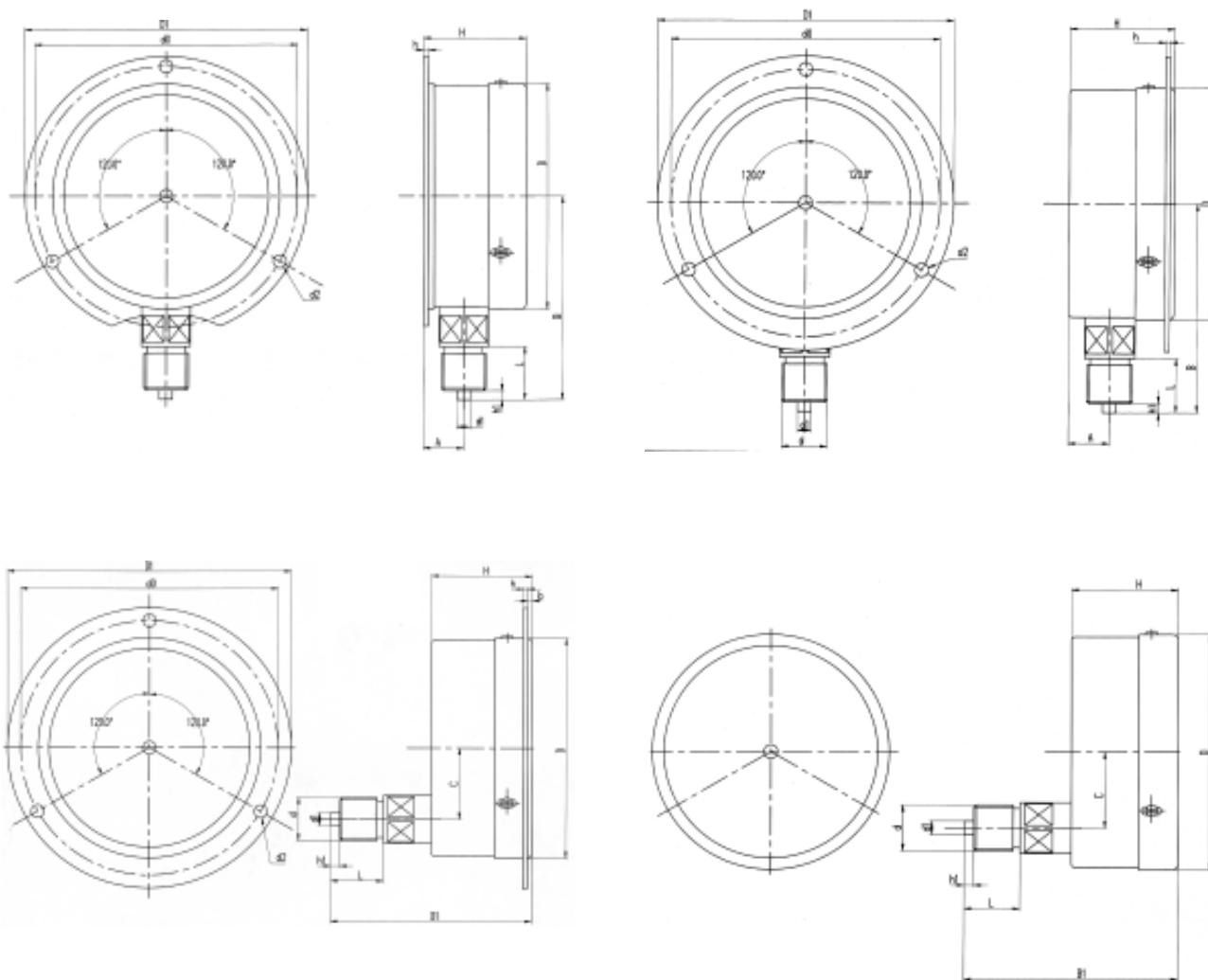
单位 Unit: mm

可选择型号 Type code	D	D1	d0	A	B1	B	H	h	L	d2	b
Y-060. AO. 200 (Y-60)	60			12.5		55	33		14		
Y-060. AT. 200 (Y-60TQ)	60	78	70	12.3		55	33	2	14	3- 5	
Y-060. AH. 200 (Y-60T)	60	82	72	12.3		55	33	2	14	3- 3.4	
Y-060. ZO. 200 (Y-60Z)	60				57.5		33		14		
Y-060. ZT. 200 (Y-60ZT)	60	78	70		57.5		33		14	3- 3	
Y-060. AO. C20 (Y-60C)	58.5					53	30		14		
Y-060. ZO. C20 (Y-60ZC)	58.5				54.5		30		14		
Y-060. ZT. C20 (Y-60ZTC)	58.5	85	75		54.5		30	1.5	14	3- 3.6	



# MODEL 060/100/150

## 100、150 几何尺寸图 Dimensions



单位 Unit (mm)

可选择型号 Type code	D	D1	d0	A	B1	B	H	h	L	d2	d1	h1	c
Y-100. AO. 200 (Y-100)	102			18		92	46.5		20		6	4	
Y-100. AT. 200 (Y-100TQ)	102	130	118	18		92	46.5	2	20	3- 6	6	4	
Y-100. AH. 200 (Y-100T)	102	127	118	18		92	46.5	2	20	3- 6	6	4	
Y-100. BO. 200 (Y-100Z)	102				92		46.5		20		6	4	33
Y-100. BT. 200 (Y-100ZT)	102	130	118		92		46.5	2	20	3- 6	6	4	33
Y-150. AO. 200 (Y-150)	150			17.5		120	47		20		6	4	
Y-150. AT. 200 (Y-150TQ)	150	180	165	17.5		120	47		20		6	4	
Y-150. AH. 200 (Y-150T)	150	180	165	21		120	50.5	5	20	3- 6	6	4	
Y-150. BO. 200 (Y-150Z)	150				95		47		20		6	4	53
Y-150. BT. 200 (Y-150ZT)	150	180	165		95		47	2	20	3- 6	6	4	53

如何选型 HOW TO ORDER

型号代码 CODE	特性说明 CHARACTERISTICS						
<b>Basic type</b> 基本型号	Y — 一般压力表系列 General service pressure gaug						
<b>Diameter</b> 外径	060 — 60 100 — 100 150 — 150						
<b>Mounting</b> 安装方式	AO — 径向直接安装 Bottom mounting AT — 径向前边 Bottom mounting with front flange AH — 径向后边 Bottom mounting with back flange ZO — 中轴向直接安装 Back mounting ZT — 中轴向前边 Back mounting with front flange BO — 下轴向直接安装 Lower back mounting BT — 下轴向前边 Lower back mounting with front flange						
<b>Design</b> 设计代码	200 — 铁外壳 / 螺钉上紧 Iron case/ Fixed with screw C20 — (改型结构) 铁外壳 / 螺钉上紧						
<b>Ranges</b> 量程	M120 — 1MPa 请参看量程代码表 Other special screw threads						
<b>Connection</b> 连接螺纹	M10 — M10 × 1 M14 — M14 × 1.5 M20 — M20 × 1.5 TOO — 其它特殊要求的螺纹 Other requests						
<b>Options</b> 备选项	BDA — 1级精度 Accuracy: 1% BHA — 1.5级精度 Accuracy: 1.5% GHB — 40% 不锈钢管银焊接 40% Silver soldering for Stainless Steel tube TPB — 非标准的度盘 Special dial						

