

4.25 ” 安全型全不锈钢压力表 YQHA(107) All Stainless Steel Safety Pressure Gauge YQHNA(107)

性能特点

- 全不锈钢设计，耐腐蚀性强
- 高压测量 100MPa
- 安全隔板装置，背部泄压
- 安全型双层防护玻璃
- 测量精度 $\pm 1.0\%$
- YQHA- 干式标准型
- YQHNA- 充液耐震型



FUNCTIONAL CHARACTERISTICS

- All stainless steel construction, corrosion-proof
- High pressure measurement up to 100Mpa
- Burst disk, pressure blow out back
- Laminated safety glass
- Accuracy for $\pm 1.0\%$
- YQHA-dry type
- YQHNA-liquid filling

产品简介

布莱迪公司的安全型系列全不锈钢压力表根据本企业<Q/BBI001-98>安全型压力表标准制造。产品适用于恶劣及具有腐蚀性的环境。表内设计有安全隔板。背部，设有泄压后盖及泄压孔，以释放因过载弹性元件破裂而产生的内部压力，增强了人员及设施的安全性。

全不锈钢安全压力表顶部设有充液塞及一个内部补偿膜片，可在现场充液。充液型安全压力表具有耐震和阻尼性能，可以防止因震动对压力表内部的损伤，同时还可润滑内部元件，减少磨损。

此系列仪表被广泛用于食品、医药、炼油、化工、海上石油平台、钻井、船舶等行业。

PRODUCT OVERVIEW

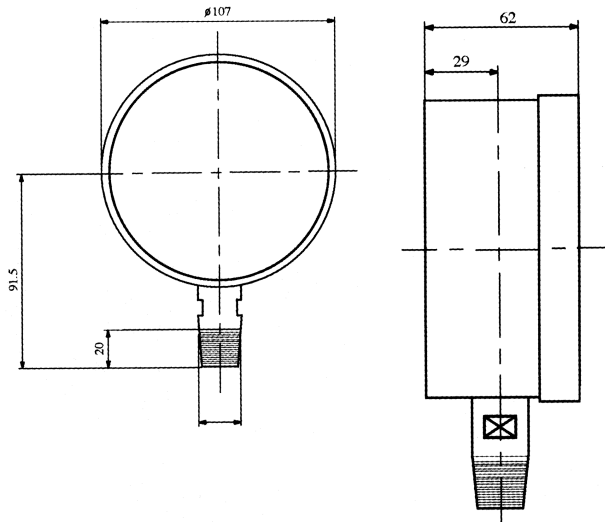
All Stainless Steel Safety Pressure Gauge of Brighty Instrument Co.,Ltd is designed according to the company 's regulation<Q/BBB01-98 Safety Pressure Gauge> for harsh and corrosive environmental conditions. There is Burst disk pressure in the gauge, blow out hole in the back to relief the presure inside caused by failure of elastic element.

The All Stainless Steel Pressure Gauge has an internal compensating diaphragm and a filling plug for field filling. The liquid fiaing type offers an excellent vibration-proof and damping ability that reducing the internal damage and corrosion.

They are applied to food, pharmaceuticals, chemical industry, petrol flat roof on the sea, artesion well, shipping and so on.

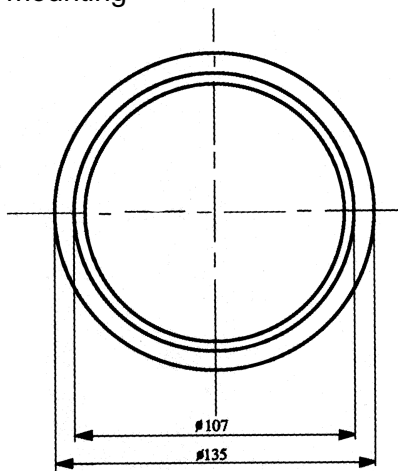
外形尺寸 Dimensions

径向直接安装
Bottom mounting



YQHA-107. AO. 301
(YTQ-107)

轴向及轴向前带边安装
Back mounting
Back panel mounting



YQHA-107. BT. 301
(YTQ-100ZTH)

YQHA-107. BO. 301
(YTQ-100ZH)

注意：

当润滑脂甘油与氯、硝酸、氧化氯等强氧化剂混合时，会自发的发生化学反应，有燃烧或爆炸造成设备损坏，人员伤亡的可能。当压力表用于这些场合均不能内充润滑脂甘油，请与制造厂联系，充填正确的内充油。

Warning:

When Glycerin or Silicone combined with strong oxidizing agents, including but not limited to chlorine, nitric acid, and hydrogen peroxide, can result in a spontaneous chemical reaction, ignition, or explosion which can cause property damage and personal injury. If gauges are to be used in such service, do not use glycerin or silicone and please consult factory for proper medium.



MODEL YQHA-107

主要技术指标

精 度：± 1.0%
 表壳尺寸：100mm(4.25 英寸)
 表壳材质：304 不锈钢
 表壳形式：安全壳构造，隔板装置后释放
 管及接体：316 不锈钢管同 316 不锈钢接
 体氩弧焊接
 机 芯：304 不锈钢
 连接形式：M20 × 1.5 或 1/2 NPT 底部连接，
 或背部连接（径向 / 轴向）
 测量范围：-0.1...0 MPa, 0.1...100 MPa
 指 针：普通
 表 玻 璃：有机玻璃、安全型双层玻璃
 充填材质：甘油 98%（可选择硅油、氟油或
 其它类别）
 防护等级：IP 65
 温 度：环境及工作介质温度不应超过：
 充液型 0 ~ 60
 普通型 -40 ~ 60
 不在此温度内需向厂家咨询说明。

Specifications

Accuracy: ± 1.0%
 Case size: 100mm(4.25 inches)
 Case material: 304 stainless steel, or carbon steel 08F
 Case design: Safety case, burst disk, pressure blow out
 back
 Tube & Socket: 316 Stainless Steel tube, 316 Stainless
 Steel socket, Argon-arc welding
 Internals: 304 stainless steel
 Connection: M20 × 1.5 or 1/2 NPT bottom connection, or
 back connection(Bottom mounting / Back
 mounting), others on request
 Ranges: -0.1...0 MPa, 0.1...100 MPa
 Pointer: Standard, micro adjustable
 Window: Organic glass, laminated safety glass
 Medium: Glycerin 98%, Fluorocarbon oil, Silicone oil and
 others available
 Degree of protection: IP 65
 Temperature: The temperature of ambient and medium
 should not high than:
 Liquid filling type: 32 to 140 ° F;
 Dry type: -40 to 140 ° F
*If operating outside these limits, please consult
 factory.*

量程范围规格代码表 TABLE OF RANGES

选型代码 code	量程规格 ranges	选型代码 code	量程规格 ranges	选型代码 code	量程规格 ranges
M500	-0.1 ~ 0 MPa	M010	0.06 MPa	M160	2.5 MPa
M510	-0.1 ~ 0.06 MPa	M030	0.1 MPa	M180	4.0 MPa
M520	-0.1 ~ 0.15 MPa	M040	0.16 MPa	M200	6.0 MPa
M530	-0.1 ~ 0.3 MPa	M060	0.25 MPa	M220	10 MPa
M540	-0.1 ~ 0.5 MPa	M080	0.4 MPa	M230	16 MPa
M550	-0.1 ~ 0.9 MPa	M100	0.6 MPa	M240	25 MPa
M560	-0.1 ~ 1.5 MPa	M120	1.0 MPa	M270	40 MPa
M570	-0.1 ~ 2.4 MPa	M140	1.6 MPa	M280	60 MPa
				M290	100 MPa

如何选型 HOW TO ORDER

	型号代码 Code	特性说明 Introduction						
Basic type 基本型号	YQHA	不锈钢内机密闭型 (干式) Stainless Steel Internals, Obturation (Dry type)						
	YQHNA	不锈钢内机充液耐震型 Stainless Steel Internals, Liquid filling, Vibration-proof						
Diameter 外径	107	107mm (4.25 ")						
Mounting 安装方式	AO	径向直接安装 Bottom mounting						
	BO	下轴向直接安装 Lower back mounting						
	BT	下轴向嵌装 Lower back panel mounting						
Design 设计代码	301	内卡坚固安全型外壳压力表 Inside bayonet, solid case						
Ranges 量程	M120	1MPa (其它规格详见量程代码表 See range table)						
Connection 连接螺纹	Z14	NPT1/4	R12	ZG1/2				
	M20	M20x1.5	G38	G3/8				
	G12	G1/2	R38	ZG3/8				
	Z12	NPT1/2	Z38	NPT3/8				
Options 备选项	GKB	抛光处理 Polishing	TPB	特殊仪表盘面 Special dial				
	PHD	缓冲螺钉 Buffer screw	SEB	聚碳酸脂玻璃 Polycarbonate glass				
	SBB	有机玻璃 Organic glass	BEA	1.6级精度 Accuracy: 1.6%				
	SYB	充硅油 Silicone oil	FWP	加不锈钢位号牌 Stainless Steel label				

