

# 专用系列压力表

## Special series Pressure Gauge

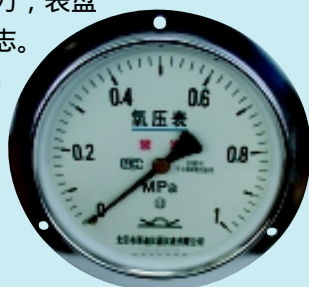
YO  
YH  
F12/F22

### 氧气压力表 YO

Oxygen pressure gauge

专用测量氧气气体压力，表盘印有红色“禁油”标志。

Special for the oxygen gas pressure, with red “prohibit oil” label on the dial



### 氢气压力表 YH

Hydrogen pressure gauge

专用测量氢气的压力。

Special for the hydrogen pressure

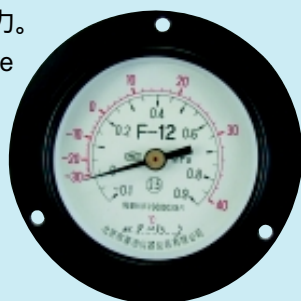


### F12 两刻度压力表 Y-(外径)· F12

F12 double scales pressure gauge

测量氟里昂 F12 的压力。

Special for the pressure of dichloro difluoro methane 12



### F22 两刻度压力表 Y-(外径)· F22

F22 double scales pressure gauge

测量氟里昂 F22 的压力。

Special for the pressure of dichloro difluoro methane 22



名称 Item	YO 氧气压力表 Oxygen pressure gauge			YH 氢气压力表 Hydrogen pressure gauge	F12/F22 二刻度压力表 Two-scale pressure gauge	
	公称直径(mm) Diameter	60	100	150	60	60
精确度等级 Accuracy	± 2.5%	± 1.5%	± 1.5%	± 2.5%	± 2.5%	± 1.5%
连接螺纹 M Connection	14x1.5	20x1.5	20x1.5	14x1.5	14x1.5	20x1.5
类型 Type	径向 径向后边 径向前边 轴向直接安装 轴向前边嵌装			Bottom mounting Bottom mounting with back flange Bottom mounting with front flange Back mounting Back panel mounting with front flange		
测量范围 Ranges (MPa)	最小：0-0.1 最大：0-25	最小：0-0.1 最大：0-60	最小：0-0.1 最大：0-60	0-0.25 0-0.4	F12 0-1.6, 0-2.5 -0.1~0~0.9 -0.1~0~1.5 -0.1~0~2.4	F22 0-1.6, 0-2.5 -0.1~0~1.5 -0.1~0~2.4



# 铸铜外壳压力表

# Y-066. AO. 404

## Cast copper case pressure gauge

### 产品特性：

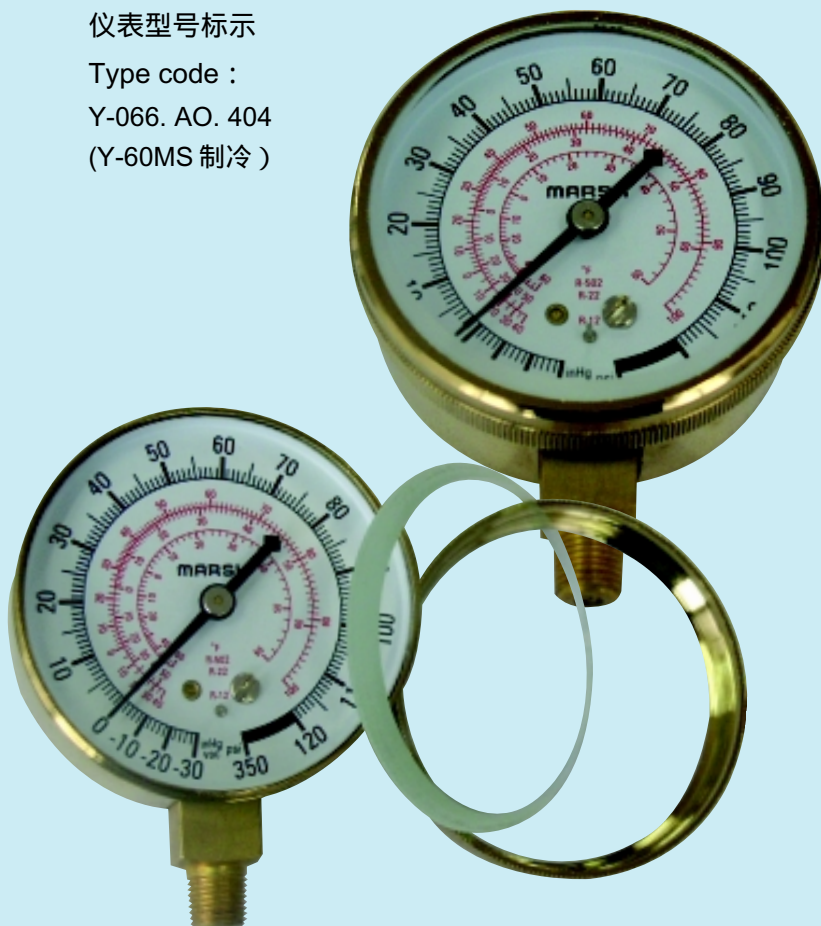
径向安装结构  
铸铜外壳，旋紧式罩壳  
铜内机内机  
厚斜面玻璃  
NPT1/8  
2.5% 精度等级  
测量范围：0.1MPa ~ 6MPa

### 仪表型号标示

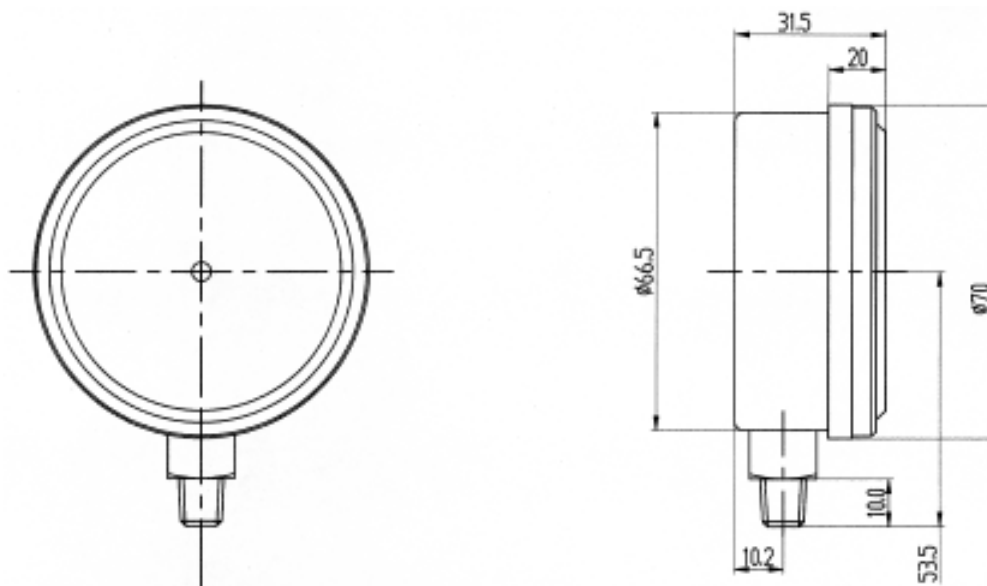
Type code :  
Y-066. AO. 404  
(Y-60MS 制冷)

### Characteristics

Bottom mounting  
Cast copper case, Screw type  
Brass/copper internals  
Thick bevel glass  
NPT1/8  
Accuracy: 2.5%  
Range: 0.1MPa ~ 6MPa



## 几何尺寸 DIMENSIONS



# 63 塑料外壳压力表

# Y-063. AO. 105

## 63 Plastic case pressure gauge

### 产品特性：

径向安装结构  
 塑料外壳，压紧式罩壳  
 铜内机  
 圆柱风咀式连接  
 2.5% 精度等级  
 测量范围：0 ~ 0.1MPa; -760mmHg  
 铝制渐变度盘

仪表型号标示 Type code：

Y-063. AO. 105

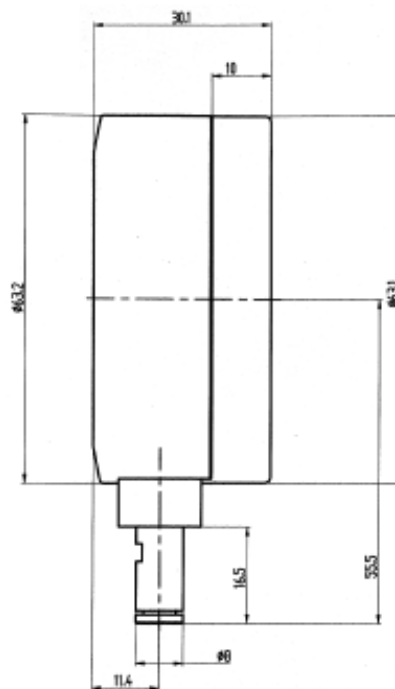
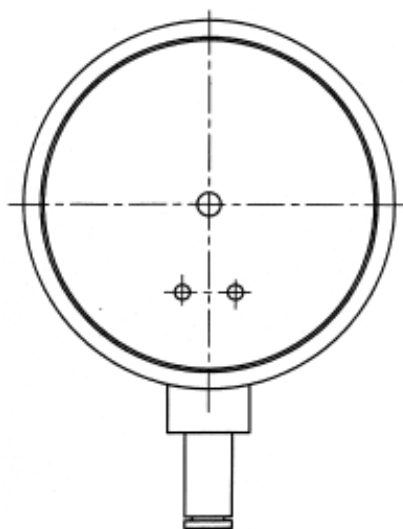
( Y-63SLZK )



### Characteristics

Bottom mounting  
 Plastic case, Push in  
 Brass/copper internals  
 Column wind fairing connection  
 Accuracy: 2.5%  
 Range: 0 ~ 0.1MPa; -760mmHg  
 Gradual change dial, aluminium

### 几何尺寸 DIMENSIONS



# 定位型压力表

备选项代码 Options PDW

## Orientation pressure gauge

### 简介

定位型压力表由一个各种外径的压力表与一个定位装置配接组成，(耐震型压力表除外)。

不同型号的压力表与定位装置配接可组成不同型号的定位型压力表，型号标为压力表型加上备选项代码“PDW”，如YTH-100. AO. 501-PDW (YTFD-100H) 全不锈钢防腐定位压力表，YE-PDW (YED) 普通膜盒定位微压表等。定位型压力表的特点是可以任意调整限定压力，能明显的标示出有效的工作压力范围，为现场人员起到警示、提示作用。

定位装置设有红绿两个指针。绿色指针可表示起始压力位置，红色指针可表示终止压力位置。也可任选一个设定针，单独使用。

转动仪表定位装置外旋钮，可调节红色指针位置，转动定位装置中间“-”旋钮可调节绿色指针位置。

(注：绿色指针只能做顺时针调整)

### Brief introduction

It includes a pressure gauge of any diameter (except Vibration-proof pressure gauge) and an orientation device.

The pressure gauge in differential types fixes with the orientation to form different Orientation pressure gauge which adds a code “PDW”. For example the YTH-100. AO. 501-PDW is All Stainless Steel vibration-proof orientation pressure gauge, and the YE-PDW(YED) is General Capsule Orientation pressure gauge.

It could be adjusted of the limit pressure and could be indicated of the effective pressure scope to make a warning to the users.

It has 2 pointers which are red and green. The green pointer could show the start point and the red one could show the finish point. In addition, it could be used separately.

Turn the botton out of the orientation device can adjust the red pointer position, and the “-” botton can change the green pointer position. (Note: The green pointer can be deasil adjusted.)



YTH-100. AO. 501-PDW  
(YTFD-100H)



Y-050. AO. 200-PDW  
(YD-50)



Y-050. ZO. 204-PDW  
(YD-50Z)

# 记忆型压力表

备选项代码 Options P J Y

## Memory pressure gauge

### 简介

记忆型压力表是由原型号压力表与一个记忆装置配接组成。

记忆型压力表的压力指针在随着被测介质压力增大而升高的同时也带动记忆表针的上升,当随着被测介质压力减少压力指针下降时,记忆表针仍留在原位。

记忆型压力表的特点是在无人的情况下,如实记录下测量现场所发生的最高压力值。

记忆装置适配于多种型号压力表上,要求压力表的测量范围大于 0.16MPa,且非耐震型。

不同型号的压力表通过记忆装置配接组成不同型号的记忆压力表,型号标为压力表型加上备选项代码“P J Y”,如 YTFJ-100,防腐不锈钢记忆压力表: YTF-100. AO-PJY (YTFJ-100),普通轴向安装记忆压力表 Y-050. ZO-PJY (YJ50Z)等。

转动仪表玻璃中间记忆装置旋钮,可随时将记忆表针调至零位。

### Brief Introduction

Recording type pressure gauges are composed of a pressure gauge and a recording device.

The recording pointer is carried by the pointer and left at the maximum pressure reached.

The memory pointer is pushed up while the medium pressure increasing, but it will not move when the pressure decreasing.

Memory device is applicable on non-fillable pressure gauges with range above 0.16 MPa.

The pressure gauge in differential types fixes with the orientation to form different Orientation pressure gauge which adds a code “ P J Y ”. For example the YTF-100. AO-PJY(YTFJ-100) is Stainless Steel Corrosion-proof memory pressure gauge, and the Y-050. ZO-PJY(YJ50Z) is General Bottom installation mounting Memory pressure gauge.

Recording pointer is adjustable from the knob on outside window.



YTF-100. AO501-PJY  
(YTFJ-100)



Y-050. ZO. 204-PJY  
(YJ50Z)



Y-060. AO. 200-PJY  
(YJ60)

