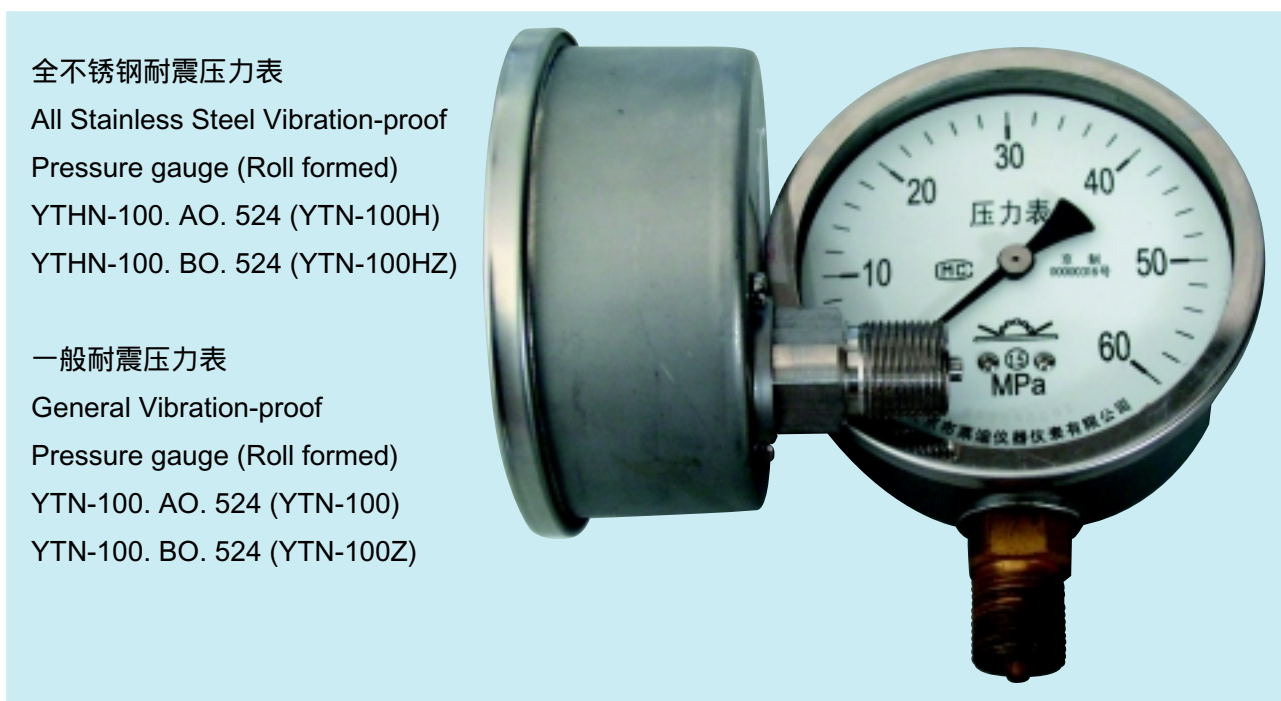


全不锈钢耐震压力表 (旋压密封式) YTHN. -().().524

All Stainless Steel Vibration-proof Pressure gauge (Roll formed)

一般耐震压力表 (旋压密封式) YTN. -().().524

General Vibration-proof Pressure gauge (Roll formed)



全不锈钢耐震压力表

All Stainless Steel Vibration-proof
Pressure gauge (Roll formed)

YTHN-100. AO. 524 (YTN-100H)

YTHN-100. BO. 524 (YTN-100HZ)

一般耐震压力表

General Vibration-proof

Pressure gauge (Roll formed)

YTN-100. AO. 524 (YTN-100)

YTN-100. BO. 524 (YTN-100Z)

应用：

全不锈钢耐震压力表，可对介质及周围环境均有腐蚀性的气体或液体进行测量，并用于有动载荷及振动的测量场所。

一般耐震压力表，用于有动载荷及振动的测量场所，对铜合金没有腐蚀作用的气体或液体进行测量。

Service intended:

All Stainless Steel Vibration-proof Pressure gauge could measure the pressure of the corrosion gas and liquid or be applied to the occasion with dynamic load and vibration.

General Vibration-proof Pressure gauge is applied to the occasion with dynamic load and vibration or to measure the pressure of gas and liquid which can not corrode copper alloy.

<p>径向直接安装 Bottom mounting 型号代码 Code AO ()</p> 	<p>径向后背板安装 Bottom postnotum mounting 型号代码 Code AH (T)</p> 	<p>下轴向直接安装 Lower back mounting 型号代码 Code BO (Z)</p> 	<p>下轴向嵌装 Lower back panel mounting 型号代码 Code BT (Z T)</p> 
--	---	---	---

主要技术参数

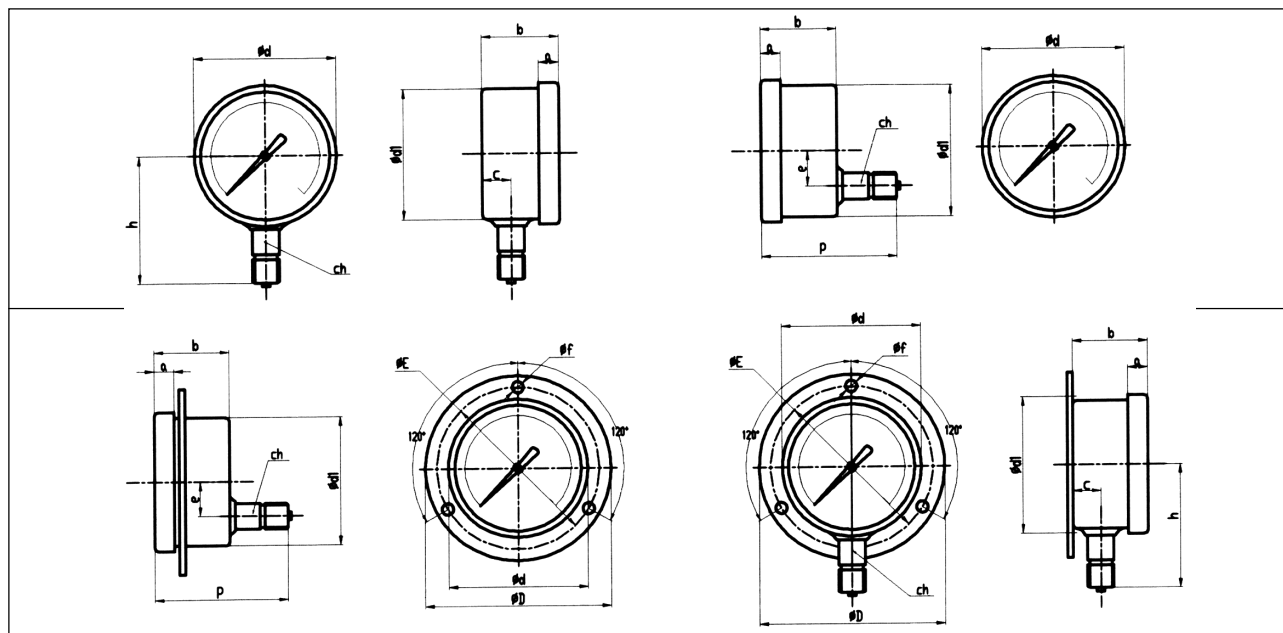
Specifications

执行标准	GB/T1226-2001	Standard executive:	GB/T1226-2001
公称直径	100mm ;	Diameter:	100mm
精度等级	1.5% ;(1% 可选)	Accuracy:	1.5% (1% available)
测量范围	-0.1MPa -100 MPa (型号选择见量程代码表)	Ranges:	-0.1MPa -100 MPa (Code chosen to see Range table)
防护等级	IP65	Degree of protection:	IP65
正常工作环境温度	-5 ~ +60	Ambient temperature:	-5 ~ +60
连接螺纹	M20 (M20X1.5) 其它见选型表	Connection:	M20 (M20X1.5) others to see type table
仪表外壳	SUS304 本色 (抛光可选); 旋压密封式罩壳	Case:	SUS304 original color (Polishing available)
仪表接头	YTHN-SUS304 ; YTN 铜合金	Socket:	YTHN-SUS304 ; YTN Copper alloy
波登管	YTHN-SUS316 与仪表接头氩弧焊接 大于 4MPa 为多圈弹簧管 ; YTN 铜合金	Bourdon tube:	YTHN-SUS316, Argon-arc welding ; > 4MPa, Helical tube; YTN copper alloy
密封件	丁腈橡胶 / EPDM	Seal:	EPDM
仪表充液	充填甘油 ; 干式可选)	Liquid filling:	glycerin ; (dry type available)
仪表机芯	不锈钢 / 铜	Internals:	Stainless Steel, copper
仪表玻璃	仪表平板玻璃(有机玻璃、安全双层玻璃可选)	Window:	Instrument plain glass (Organic glass, laminated safety glass available)
密封件	硅橡胶	Seal:	Silicone rubber



MODEL 旋压密封式压力表

仪表几何尺寸 DIMENSIONS



单位 Unit (mm)

径向 Bottom mounting	主体尺寸 Body dimension							卡边尺寸 Flange dimension		
规格 Specification	a	b	d	d1	ch	e	p	D	E	f
AO/AH	8.5	46	108	99	22	15.5	85 ± 5	128	118	5.5
轴向 Back mounting	主体尺寸 Body dimension							卡边尺寸 Flange dimension		
规格 Specification	a	b	d	d1	ch	e	p	D	E	f
BO/BT	8.5	46	108	99	22	30	90 ± 5	128	118	5.5

注：1) h、p 与接头种类有关 2) 螺纹多种定制
 Note: 1) h, p is relative to the type 2) We have made kinds of screw thread to orders.

量程范围规格代码表 TABLE OF RANGES

选型代码 code	量程规格 ranges	选型代码 code	量程规格 ranges	选型代码 code	量程规格 ranges
M500	-0.1~0 MPa	M010	0.06MPa	M160	2.5 MPa
M510	-0.1~0.06MPa	M030	0.1 MPa	M180	4.0 MPa
M520	-0.1~0.15MPa	M040	0.16 MPa	M200	6.0 MPa
M530	-0.1~0.3MPa	M060	0.25 MPa	M220	10 MPa
M540	-0.1~0.5MPa	M080	0.4 MPa	M230	16 MPa
M550	-0.1~0.9MPa	M100	0.6 MPa	M240	25 MPa
M560	-0.1~1.5MPa	M120	1.0 MPa	M270	40 MPa
M570	-0.1~2.4MPa	M140	1.6 MPa	M280	60 MPa
				M290	100 MPa

如何选型 HOW TO ORDER

	型号代码 Code	特性说明 Introduction							
Basic type 基本型号	YTHN	— 全不锈钢耐震压力表 All Stainless Steel Vibration-proof Pressure gauge							
	YTN	— 一般耐震压力表 General Vibration-proof Pressure gauge							
Diameter 外径	100	— 100mm							
Mounting 安装方式	AO	— 径向直接安装 Bottom mounting							
	AH	— 径向后背板安装 Bottom postnotum mounting							
	BO	— 下轴向直接安装 Lower back mounting							
	BT	— 下轴向嵌装 Lower back panel mounting							
Design 设计代码	524	— 不锈钢外壳安装式，旋压密封式罩壳 Stainless Steel case, Installation, Roll formed							
	224	— 铁外壳安装式，旋压密封式罩壳 Iron case, Installation, Roll formed							
Ranges 量程	M120	— 1MPa (其它规格详见量程代码表 See range table)							
Connection 连接螺纹	M20	— M20x1.5	Z14	— NPT1/4					
	G12	— G1/2	R38	— ZG3/8					
	Z12	— NPT1/2	Z38	— NPT3/8					
Options 备选项	GKB	— 抛光处理 Polishing	SBE	— 聚碳酸脂玻璃 Polycarbonate glass					
	PHD	— 缓冲螺钉 Buffer screw	SBD	— 安全双层玻璃 laminated safety glass					
	SKA	— 碳钢外壳 Carbon steel case	SBB	— 有机玻璃 Organic glass					
	SKB	— SUS304 外壳 case	GHB	— 不锈钢管银焊 Stainless Steel tube silver soldering					
	BDA	— 1级精度 Accuracy: 1%	FWP	— 加不锈钢位号牌 Stainless Steel label					
	SYB	— 硅油 Silicone oil	TPB	— 特殊仪表盘面加工 Special dial					

