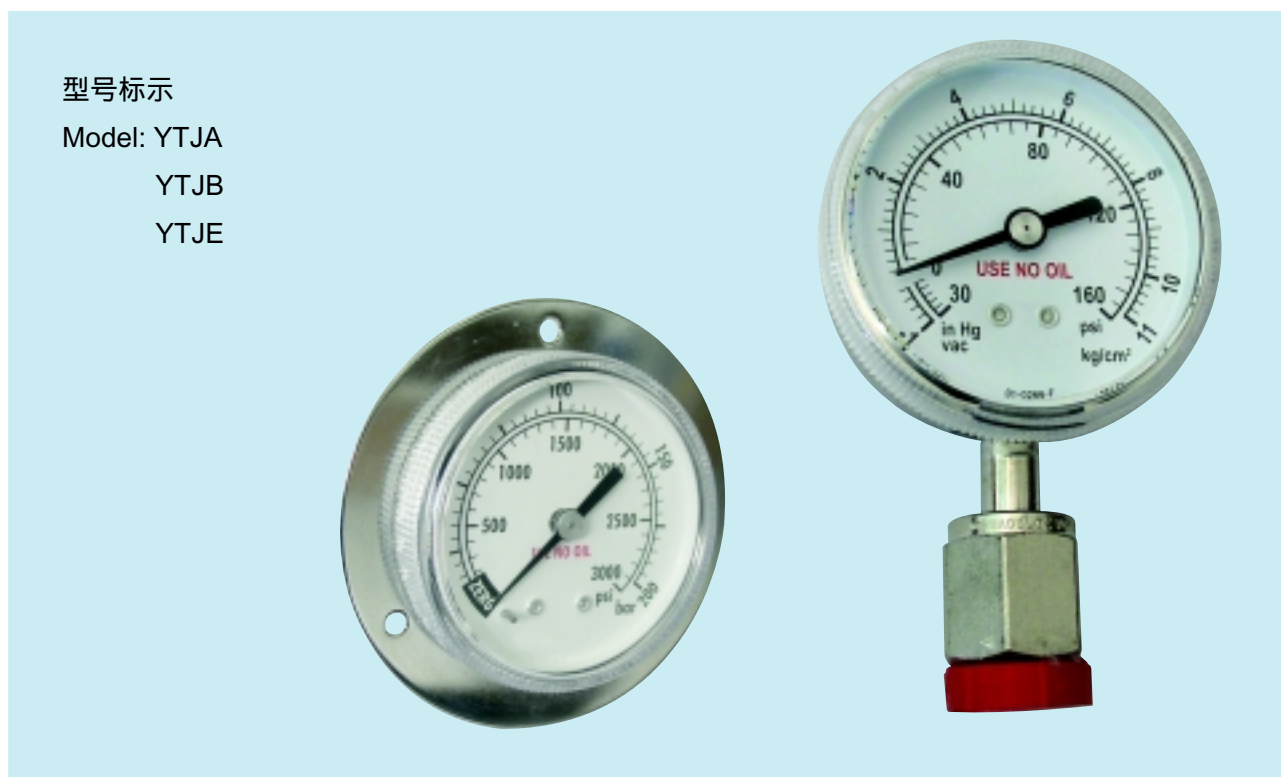


高纯净型压力表

YTJ

High Purity Pressure Gauge



产品概述：

YTJ 高纯净型压力表主要应用于半导体领域。产品根据洁净度等级，可分为 (YTJA) A 级 (YTJB) / BA 级 (YTJE) / EP 级 3 种类型

根据使用特性可选择 SUS316Ti、SUS316、SUS316L 等不同材料的测压元件。

支持 G1/4、NPT1/4、9/16-18UNF、1/4VCR (M)、1/4VCR (F) 等多种连接形式。

所有零部件都经过超声波纯水处理。

选用无氧真空室的高纯氩气保护焊接作业。

产品经过严格的耐压及气密性检测。气密性可达到 $1 \times 10^{-10} \text{ Pa} \cdot \text{m}^3/\text{s}$ 。

测量范围：-0.1~0 至 0-35MPa。

示值精度：1.5% ; 2.5%。

Brief introduction

The gauge is mainly used in semiconductor. It could be sorted to three kinds as class A, class BA and class EP by their purity degrees.

It could choose the pressure elements of SUS316Ti, SUS316, SUS316L by your demand.

It supports connection types as G1/4, NPT1/4, 9/16-18UNF, 1/4VCR(M), 1/4VCR(F) and so on.

All the parts would be dealt with by ultrasonic pure-water.

Protect welding work with the high purity argon.

With strict detection of compression resistance and airproof which could achieve $1 \times 10^{-9} \text{ Pa} \cdot \text{m}^3/\text{s}$.

Measure ranges: 0.1~0MPa to 0-35MPa.

Accuracy: 1.5%; 2.5%.

高纯净表洁净度等级

The Clean Grade of the High-Purity Pressure Gauge

A 级

清洗：药液超声波清洗，纯水超声波清洗

组装调试：洁净室（洁净度 10000）

包装：N₂ 气体吹扫，密封包装

A Grade:

Washing: Clean with medicine liquid ultrasonic, pure water ultrasonic washing

Installation and debugging: Clean room (Clean Grade 10000)

Package: N₂ gas clear away, seal package

无氧焊接

Welding without oxygen



BA 级

零件：(气体接触部位) 机械抛光处理

清洗：药液超声波清洗，纯水超声波清洗

洁净度：等级 VI (ASME B40, 1 Level)

组装调试：洁净室（洁净度 10000 ISO Class4）

工作台（洁净度 100 ISO Class2）

包装：N₂ 气体吹扫，PET 袋真空密封包装

BA Grade:

Part: (Gas contact part) machine polishing

Washing: Clean with medicine liquid ultrasonic

Clean Grade: VI (ASME B40,1 Level)

Installation and debugging: Clean room (Clean Grade 10000 ISO Class4)

Working desk (Clean Grade 100 ISO Class2)

Package: N₂ gas clear away, seal package with vacuum PET bag

纯水超声波清洗

Pure water ultrasonic washing



EP 级

零件：(气体接触部位) 电解抛光

清洗：药液超声波清洗，纯水超声波清洗

洁净度：(ISO Class 1) 在 0.1 μ m 以上的肉眼

不可见微粒子数量 10 个以内。

组装调试：洁净室（洁净度 1000 ISO Class3）工作台（洁净度 100 ISO Class2）

包装：N₂ 气体吹扫，PET 袋真空密封包装

EP Grade:

Part: (Gas contact part) electrolyte polishing

Washing: Clean with medicine liquid ultrasonic

Clean Grade: (ISO Class 1) less than 10 corpuscule which is bigger than 0.1 μ m can not seen with people eyes.

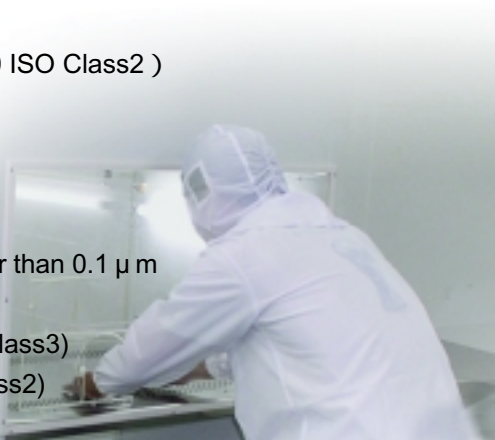
Installation and debugging: Clean room (Clean Grade 1000 ISO Class3)

Working desk (Clean Grade 100 ISO Class2)

Package: N₂ gas clear away, seal package with vacuum PET bag

洁净室操作

Clean room operation



MODEL YTJ

几种规格产品 Several Specification

径向直接安装 AO
Stem mounting; bottom connection



轴向嵌装 ZT
Flush mounting; back connection



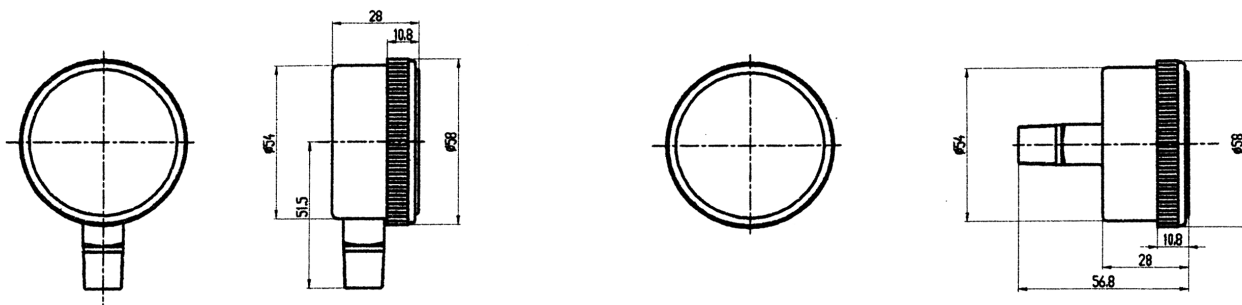
量程范围规格代码表 TABLE OF RANGES

选型代码 code	量程规格 ranges	选型代码 code	量程规格 ranges	选型代码 code	量程规格 ranges
M510	-0.1-0.06 MPa	M030	0.1 MPa	M160	10 MPa
M515	-0.1-0.1 MPa	M040	0.16 MPa	M180	16 MPa
M 520	-0.1-0.15 MPa	M60	0.25 MPa	M200	6 MPa
M 530	-0.1-0.3 MPa	M080	0.4 MPa	M220	10 MPa
M540	-0.1-0.5 MPa	M100	0.6 MPa	M230	16 MPa
M550	-0.1-0.9 MPa	M120	1.0 MPa	M240	25 MPa
M560	-0.1-1.5 MPa	M140	1.6 MPa	M260	35 MPa
M570	-0.1-2.4 MPa	Kg/psi; KPa/psi; psi/bar 刻度标示可选 available			

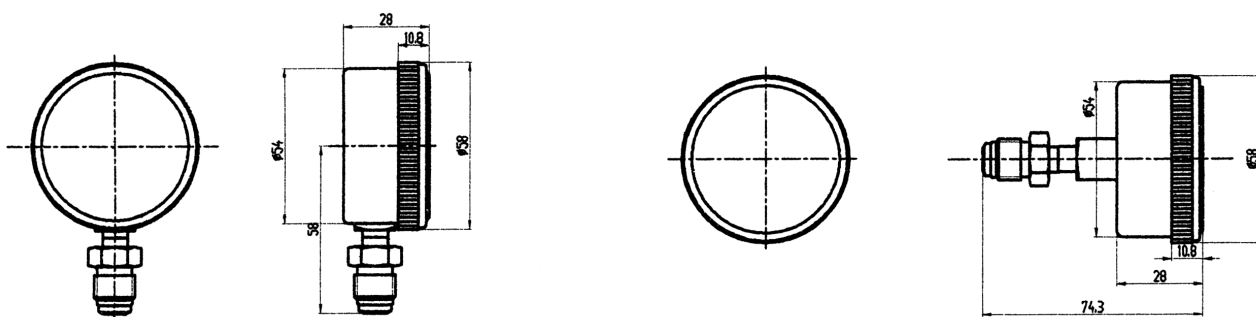
仪表外型尺寸及连接示意图

Type, dimension and connection scheme

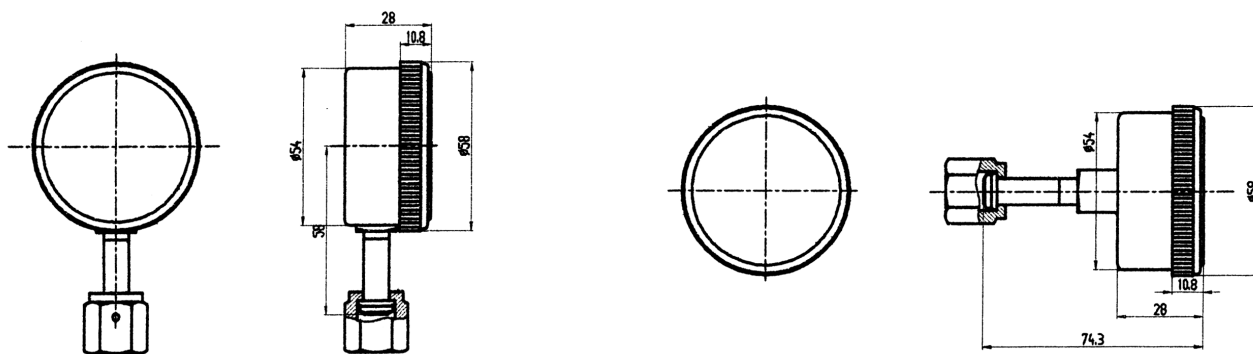
连接 Connection $G^{1/4}$ 、 $NPT^{1/4}$ 、 $9/16-18UNF$



连接 Connection $9/16-18 UNF(M)$ $1/4 VCR(M)$



连接 Connection $1/4 VCR(F)$



如何选型 HOW TO ORDER

	型号代码 CODE	特性说明 CHARACTERISTICS					
基本型号 Basic type	YTJA	A 级不锈钢洁净型压力表 Stainless Steel clean type pressure gauge					
	YTJB	BA 级不锈钢洁净型压力表 Stainless Steel clean type pressure gauge					
	YTJE	EP 级不锈钢洁净型压力表 Stainless Steel clean type pressure gauge					
外径 Diameter	040	40mm					
	050	50mm					
安装方式 Mounting	AO	径向无边 Stem mounting, bottom connection, no flange					
	ZO	中轴向无边 Flush mounting, back connection, no flange					
	ZT	中轴向前边 Flush mounting, back connection, front flange					
设计代码 Design	54	不锈钢外壳, 旋紧式 Stainless Steel case, screw type					
量程 Ranges	M120	1MPa 详见量程代码表 See the table of range					
连接螺纹 Connection	G ¹ / ₄	G ¹ / ₄ ”					
	V20	VCR(M)	V30	VCR(F)			